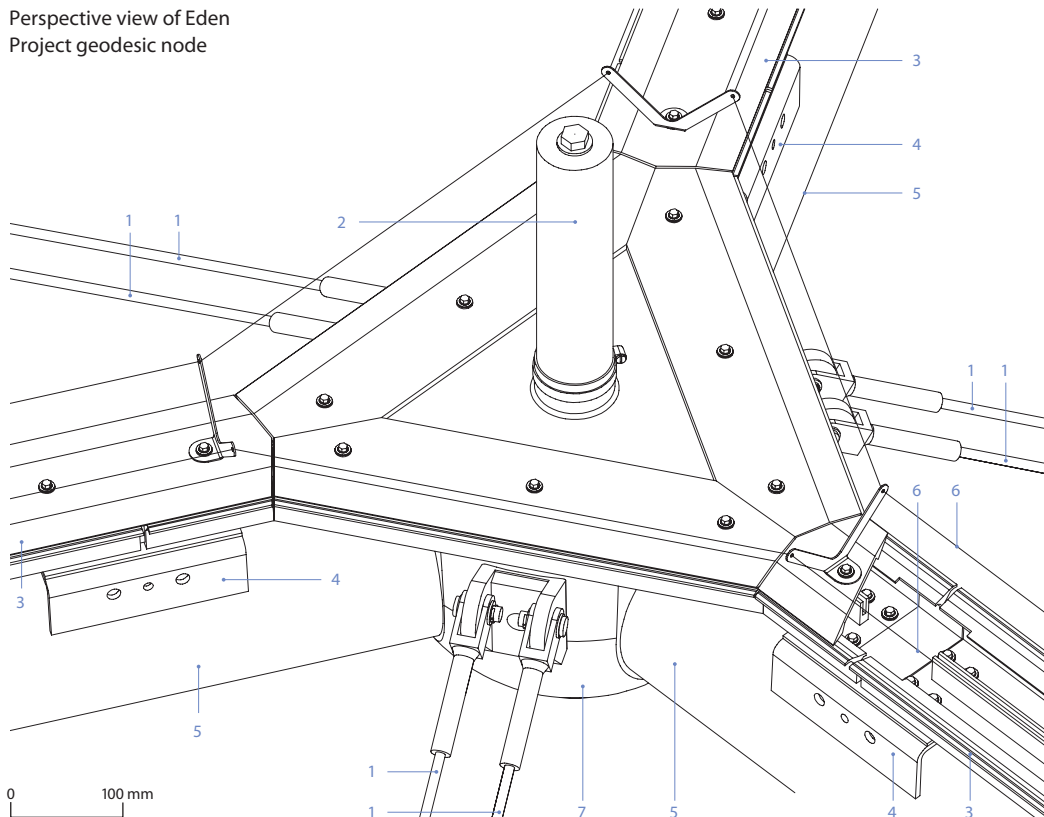


Perspective view of Eden
Project geodesic node



- 1. Paired 10mm stainless steel snow cables with forked connectors to cast node
 - 2. 75mm diameter galvanized steel pin for access scaffold, connected to cast node with M16 bolt
 - 3. Extruded aluminium restraint for foil cushion
 - 4. Restraint mounted to steel upstand
 - 5. 193.7mm diameter CHS
 - 6. Paired 2mm stainless steel anti-bird wire on raised brackets
 - 7. Cast galvanized steel node
- Note: foil cushions omitted for clarity